

Climair[®]
INDUSTRIE



MANUEL D'INSTALLATION

REGULATEUR DESTRATIFICATION

CE

Read this document before installing the appliance

Warning

Incorrect installation, adjustment, alteration, repair or maintenance work may lead to material damage or injury. All work must be carried out by certified, qualified professionals. If the appliance is not positioned in accordance with the instructions, the warranty shall be rendered void. This appliance is not intended for use by children or persons with a physical, sensory or mental handicap, or who lack the required experience or expertise, unless they are supervised or have been instructed in the use of the appliance by somebody who is responsible for their safety. Children must be supervised to ensure that they do not play with the appliance.

1.0 General

1.1 All rights reserved

The manufacturer has a policy of continuous product improvement and reserves the right to make changes to the specifications without prior notice. The technical details are considered correct but do not form the basis for a contract or warranty. All orders are accepted subject to the standard terms and conditions of sale and delivery (which will be sent to you at your request). The information in this document is subject to change without notice.

1.2 General warnings

Installation must comply with the relevant local and/or national regulations. You must therefore have the Destratification Regulator EDTR 6 installed by a professionally qualified installer in accordance with all applicable national and international regulations. Faulty installation, adjustment, alteration, maintenance activity or repair shall render the warranty void.

1.3 Application

The hall is heated by warm air generators or a comparable heating system. These bring the heated air into the lounge area by means of adjustable blades. Since the heated air has a lower specific weight than cold air, the warm air rises to the ceiling area and collects there. The EDTR 6 control senses the increase in the temperature difference between the floor and ceiling. The fans are controlled so that the warm air from the ceiling is drawn back into the lounge area without drafts. After the temperature in the room is balanced, the EDTR 6 system switches off the fans. The EDTR 6 complements existing heating systems regardless of the operating mode. The regulation of the heating does not have to be changed, since the EDTR 6 system works according to current, measured parameters, which also take external influences, such as solar radiation and cold air through door openings etc., into account.

2.0 Technical specifications

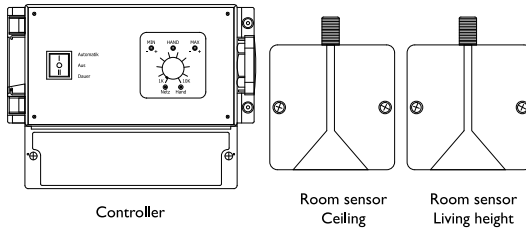
Destratification regulator EDTR 6	
Operating voltage:	230 V eff +-10% 50/60 Hz
Maximum permissible continuous current:	6 A
Nominal current range:	0,2 A – 6 A
Permissible ambient temperature:	0° - 40°C
Temperature difference:	1 k - 10 k
Control range:	3°C
Selector switch:	AUTOMATIC-OFF-CONTINUOUS

3.0 Installation

3.1 General

After unpacking, check the EDTR 6 and the floor and ceiling sensors for damage. Check that the type/model and the rated voltage are correct and that everything is complete.

Scope of supply



3.2 Installation destratification regulator EDTR 6

Determine a suitable place for installing the EDTR 6. Mount the EDTR 6 on a solid surface. We recommend mounting the EDTR 6 at a height of $\pm 1.5\text{m}$ from the floor, at a well reachable place. Check that the power supply has been switched off before connecting any wiring. If this is not the case, the power supply must be switched off before you continue. When switching off the power supply of the appliance to which connection is to be made, you should also refer to the technical documentation/operating instructions for the appliance in question.

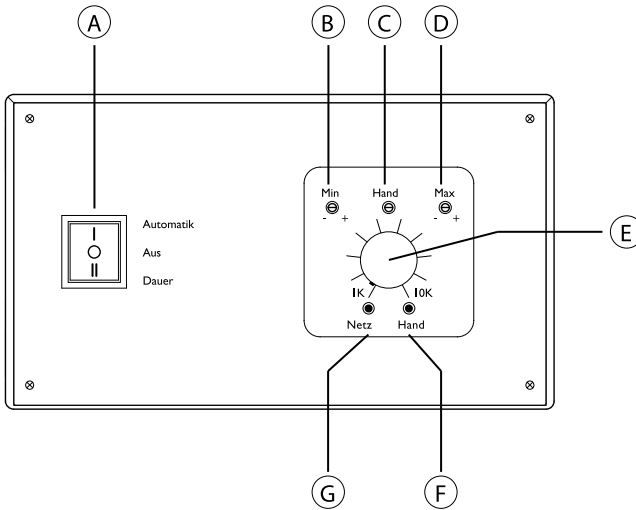
Connect the EDTR 6 according to one of the supplied electrical diagrams which are in the back of this technical book. To select the correct connection diagram, you need to know on which type of device you will connect the EDTR 6. For suitable options see Annex I.

3.3 Installation room sensors

The placement of the ceiling and floor sensors of the EDTR 6 is of crucial importance for the correct functioning of the system. Both sensors must be in the fan air flow and must not be covered. The ceiling sensor should be installed at the highest point in the room, as central as possible. Nearby roof openings lead to incorrect measurements and thus, to avoid incorrect system functions, the floor sensor should be mounted on the side of the room. It should be noted that constantly opening doors, windows etc. with direct influence on the floor sensor, leads to the fans starting unnecessarily. The sensors should not be installed on metal supports that have an external connection (cold bridges).

4.0 Operating manual

4.1 Explanation of the buttons



- A - Selector switch
automatic / off / continuous
- B - Min. - Minimum fan speed
- C - Hand - Enable manual mode
- D - Max. - Maximum fan speed
- E - Setpoint setting fan speed
- F - LED (yellow) manual mode
- G - LED voltage

4.2 Set minimum and maximum speed

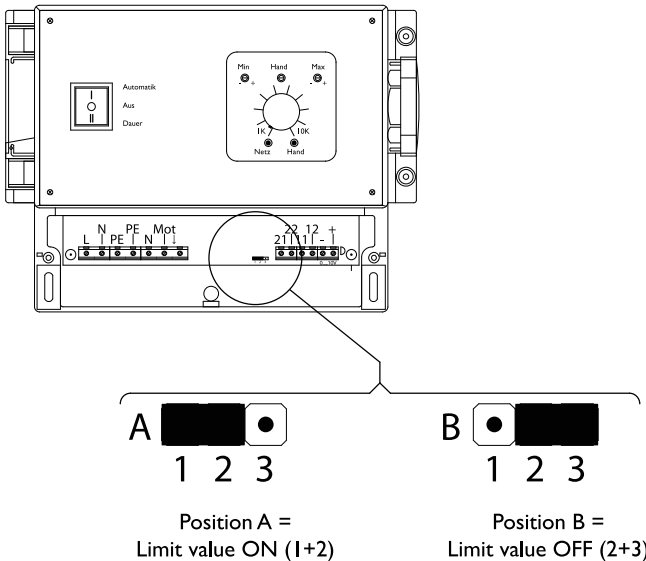
The rotary switch MANUAL between the adjustment potentiometers MAX and MIN is turned clockwise until it stops to switch on manual operation (right stop). The yellow LED - MANUAL lights up. To set the minimum speed, the setpoint regulator is turned counterclockwise as far as it will go (left stop). The minimum speed can now be set with the MIN controller. To set the maximum speed, the setpoint regulator is turned clockwise as far as it will go (right stop) to increase the max. Speed. The fans should be installed in such a way that there is air movement, so that the warm and cold layers of air are mixed.

4.3 Adjusting Setpoint

The MANUAL switch is turned counterclockwise until it stops. The yellow LED - MANUAL light goes out. It is recommended to set the setpoint to 3°C. If the fans run too often, increase this value.

Function: The fan speed changes continuously in the proportional range between the set MIN and MAX speeds if the temperature difference between the temperature sensors set on the setpoint switch is exceeded by 3°C. When reaching or falling below the set value on the setpoint switch, the fans will switch off. In this case, the operating mode with limit = limit ON (jumper position A, pin 1 + 2). Operating mode without limit means that the fans always run at minimum speed in case of falling below the value on the setpoint. This makes sense wherever a certain air exchange rate is required. This is limit value OFF (jumper position B, pin 2 + 3).

Jumper position limit value



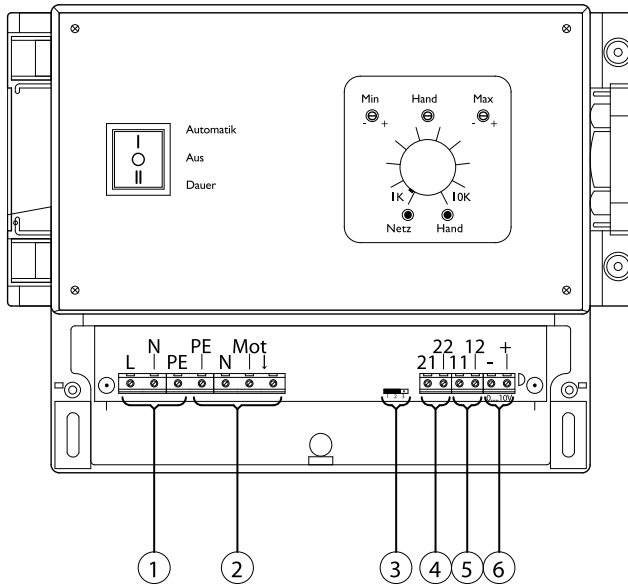
4.4 Start-up

The switch (A) is now set to AUTO to put the system into operation. Finally, to check the function of the system, the floor sensor should be cooled down (e.g. with cold spray).

5.0 Disposing of the EDTR 6

When the EDTR 6 is replaced or removed, it must be recycled or destroyed in accordance with national and/or local legislation and regulations.

6.0 EDTR 6 connections



- 1 - Power supply EDTR 6 (L+N+PE)
- 2 - PE - Earth
 - N - Zero
 - Mot - Speed controlled output
 - ↓ - Switched output
- 3 - Jumper limit on / off
- 4 - Room sensor 1 (living height)
- 5 - Room sensor 2 (ceiling)
- 6 - 0-10Vdc output

EN**Select the right drawing!**

Drawing

Page

DE**Der richtigen schaltplan Wählen!**

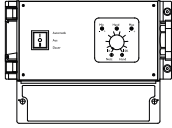
Schaltplan

Seite

NL**Kies het juiste elektrische schema!**

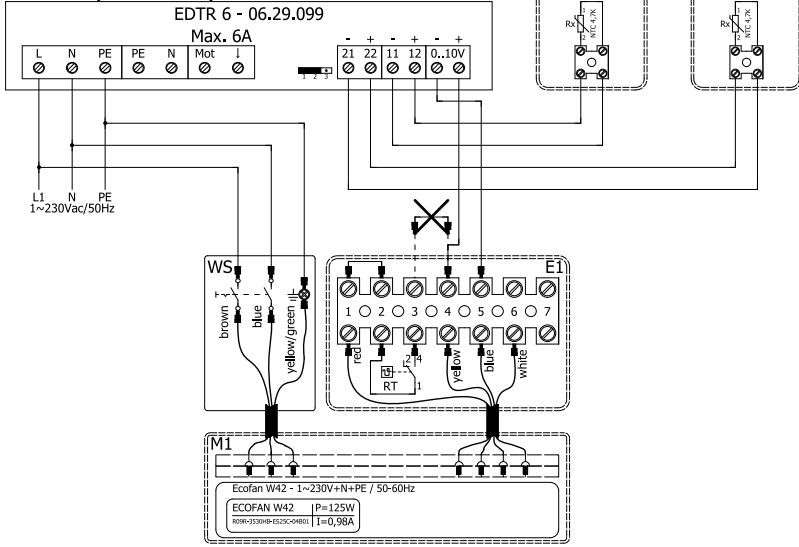
Schema

Pagina

	Ecofan W42 *	[1]	9
	Ecofan W82/I42 *	[2]	10
	Ecofan PI40 **	[3]	11

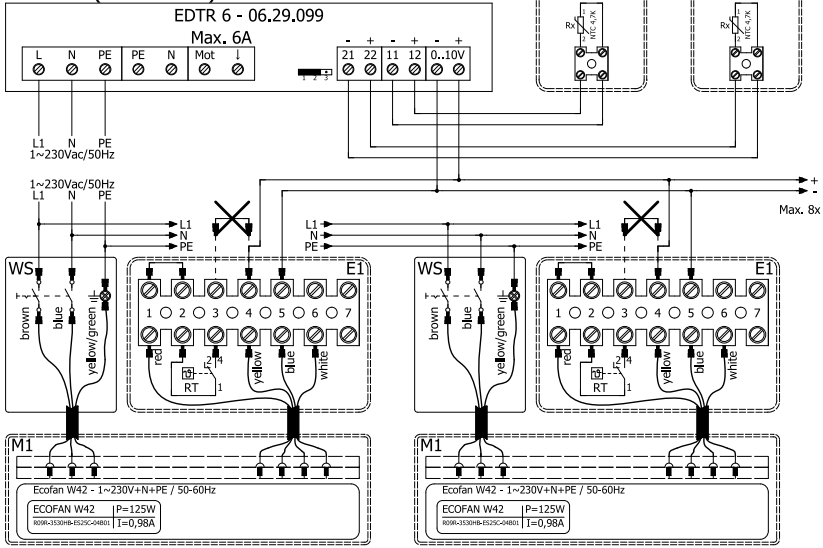
* **EN** With EC motor**DE** Mit EC Motor**NL** Met EC motor** **EN** With AC motor**DE** Mit AC Motor**NL** Met AC motor

EDTR 6 (06.29.099) ⇒ Ecofan W42



II // 66062909=II

EDTR 6 (06.29.099) ⇒ Ecofan W42



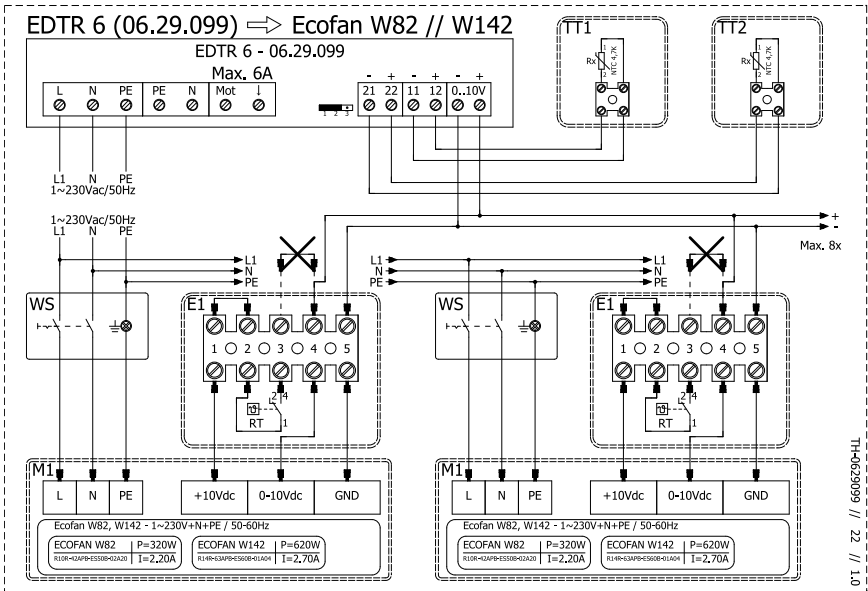
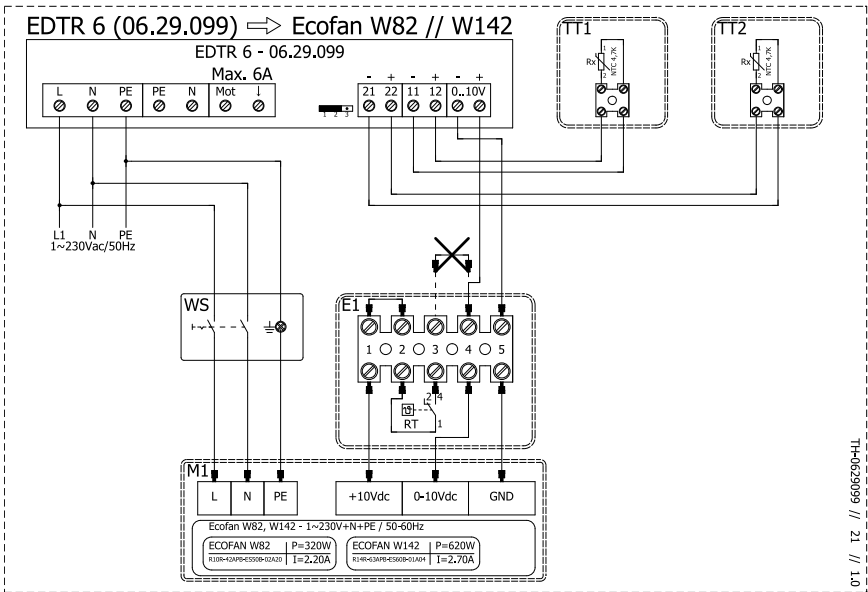
II // 66062909=II

EN

DE

NL

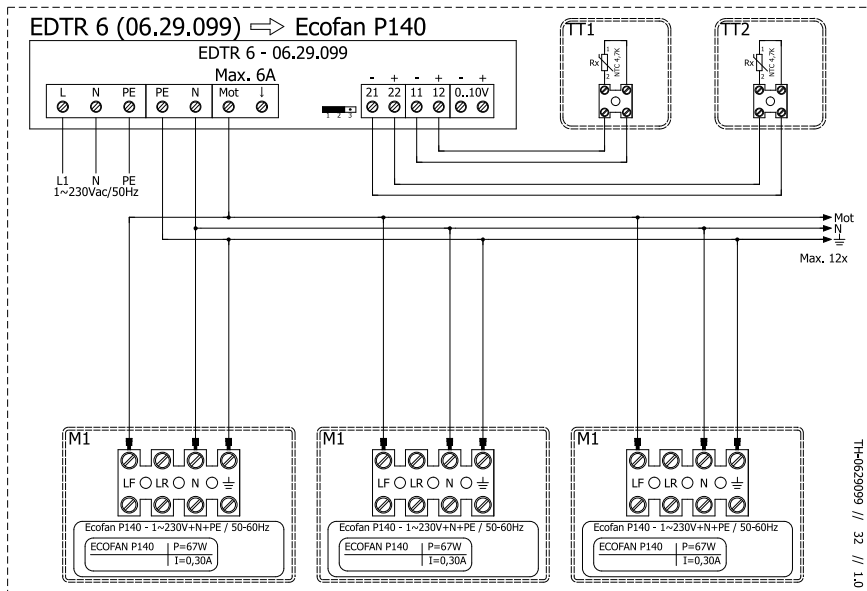
	EDTR 6	EI	MI	TT1	TT2	WS	✕
EN	Destratification regulator	Ecofan connection box	Ecofan fan motor	Room sensor ceiling	Room sensor living height	Operating switch	Remove connection
DE	Temperatur-Differenz Drehzahlsteller	Ecofan Connection box	Ecofan Motor	Deckenraum-fühler	Raumfühler	Reparatur-schalter	Verbindung entfernen
NL	Destratificatie-regelaar	Aansluitbox Ecofan	Ventilatormotor Ecofan	Ruimte sensor plafond	Ruimte sensor leefhoogte	Werkschakelaar	Doorverbinding verwijderen



	EDTR 6	EI	MI	TT1	TT2	WS	✕
EN	Destratification regulator	Ecofan connection box	Ecofan fan motor	Room sensor ceiling	Room sensor living height	Operating switch	Remove connection
DE	Temperatur-Differenz Drehzahlsteller	Ecofan Connection box	Ecofan Motor	Deckenraum-fühler	Raumfühler	Reparatur-schalter	Verbindung entfernen
NL	Destratificatie-regelaar	Aansluitbox Ecofan	Ventilatormotor Ecofan	Ruimte sensor plafond	Ruimte sensor leefhoogte	Werkshakelaar	Doorverbinding verwijderen

[3]

EDTR 6 (06.29.099) ⇨ Ecofan P140



TH-0629099 // 32 // 1.0

EN

DE

NL

	EDTR 6	M1	TT1	TT2	WS	✗
EN	Destratification regulator	Ecofan P140	Room sensor ceiling	Room sensor living height	Operating switch	Remove connection
DE	Temperatur-Differenz Drehzahlsteller	Ecofan P140	Deckenraumfühler	Raumfühler	Reparaturschalter	Verbindung entfernen
NL	Destratificatieregelaar	Ecofan P140	Ruimte sensor plafond	Ruimte sensor leefhoogte	Werkschakelaar	Doorverbinding verwijderen